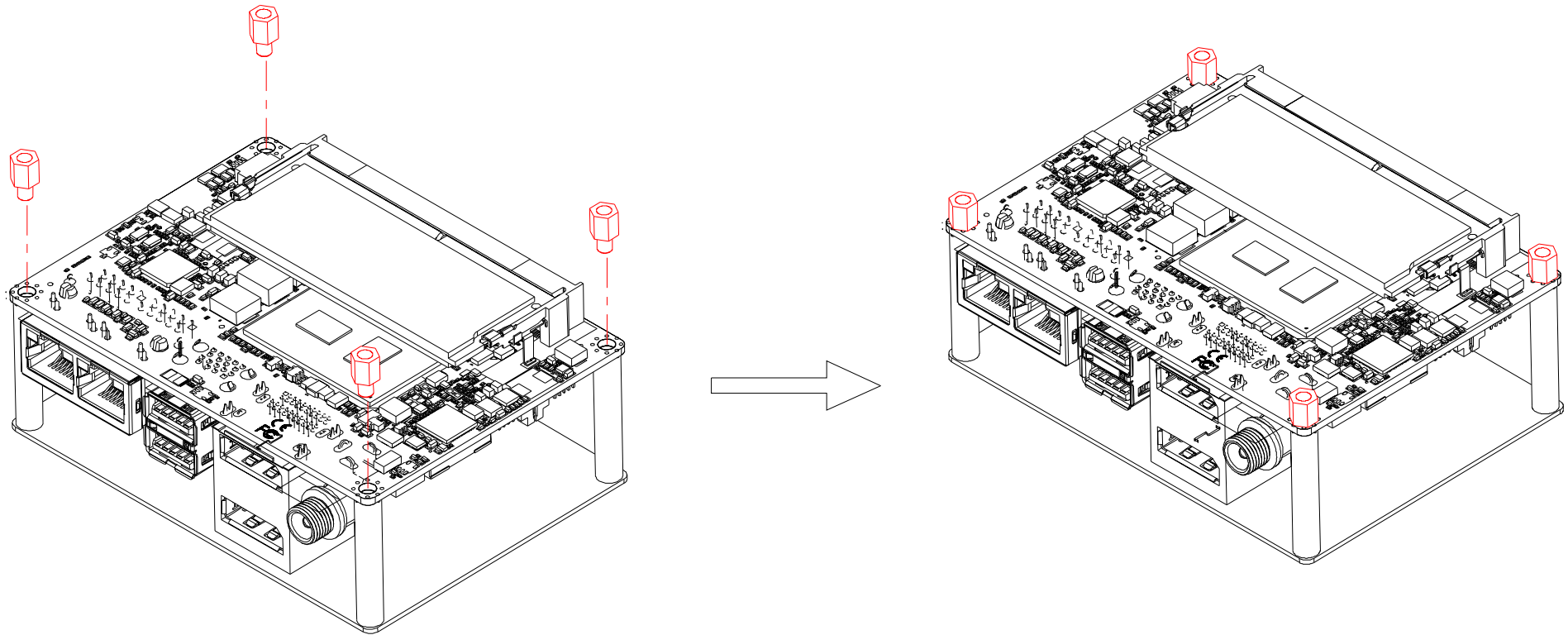


1. Assemble the mainboard with M3*5.5L(*4pcs) copper studs.



2. Remove the protective case from the thermal grease before assemble the heatsink to the mainboard.

